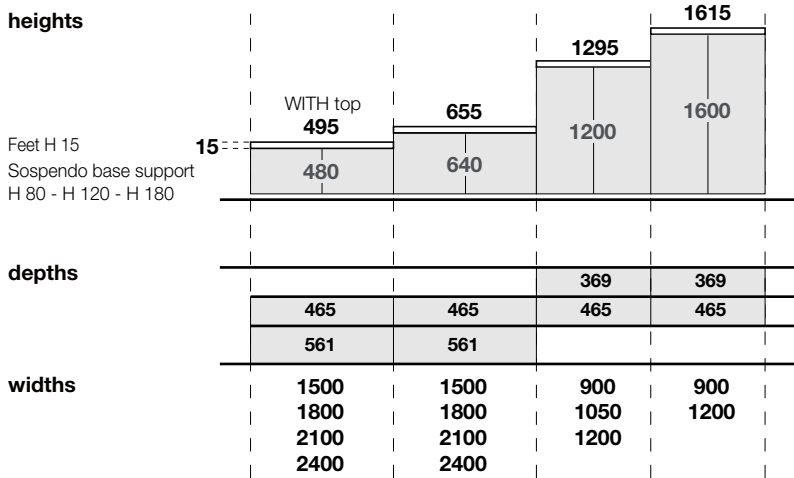


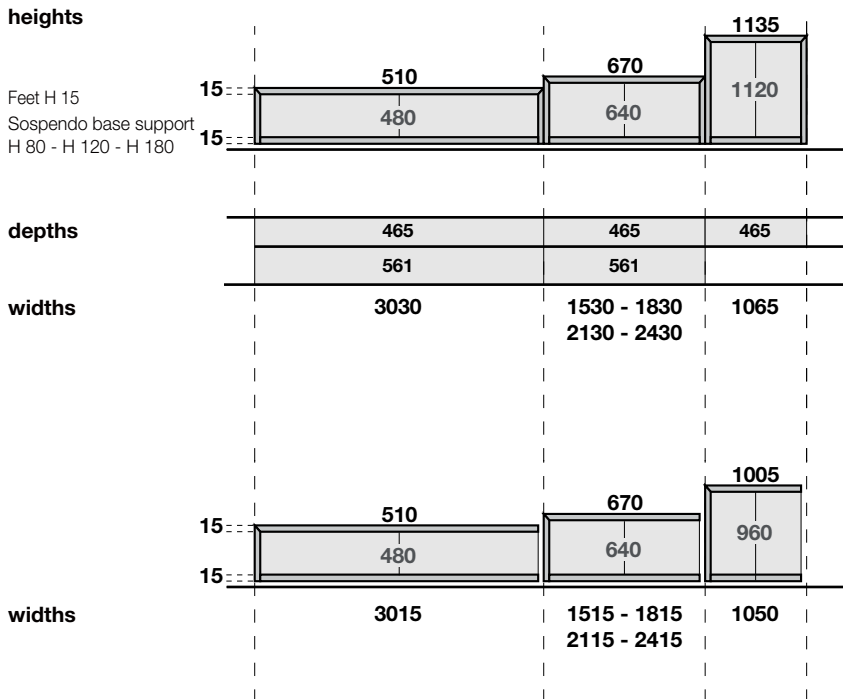
Storage units **Scrigno**

Modularity

MODULARITY WITH SUPERIMPOSED TOP



MODULARITY WITH FRAME 3 AND 4 SIDES



Scrigno sideboards are made with LAMPO units with 20 or 35 mm full or combination front panels with PUSH-PULL OPENING and units with SCRIGNO doors. The type of opening is shown by a code next to the front panel.

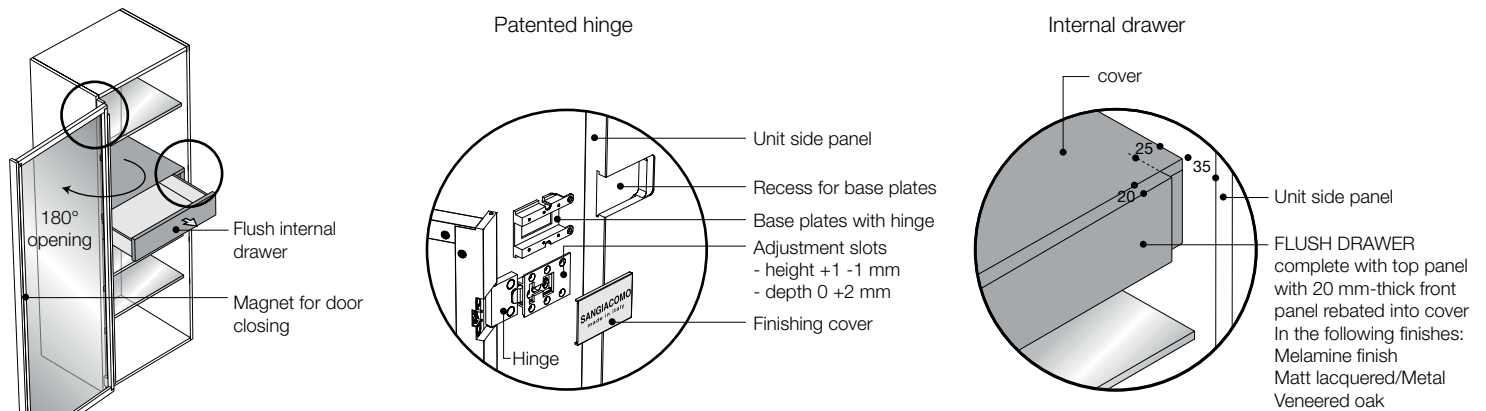
OPENINGS

C Drawer **A** Door **R** Drop-down door **S** Scrigno

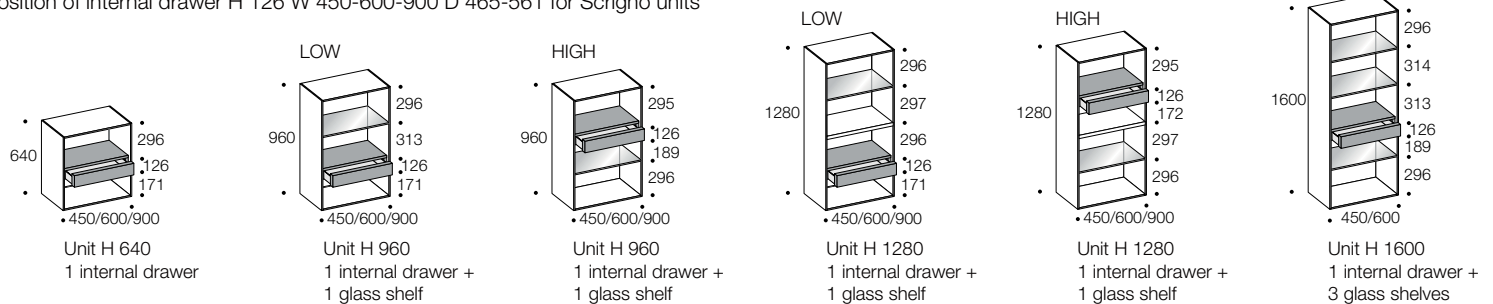
Storage units **Scrigno**

Structural features

Scrigno doors are FOR DISPLAY UNITS and comprise a frame with amortised hinge housed in the upright and leaf inset into the unit side panel thickness. These allow the door to open 180° if there is no hindrance. Scrigno drawers cannot be inserted into elements with 35mm thick doors.

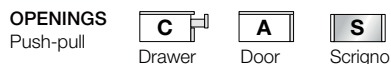
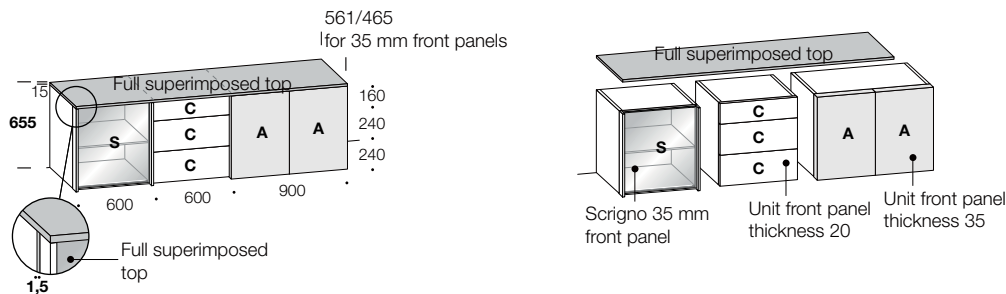


Position of internal drawer H 126 W 450-600-900 D 465-561 for Scrigno units



SIDEBOARDS WITH SUPERIMPOSED FULL TOP

The ends are always fitted with units with Scrigno door or 35 mm wooden doors.



HANGING UNITS

Depth 465

BASE UNITS

Depth 465/561

TYPES	H	H	H	H
	15	80	120	180
P-Floor-standing foot	P1			
M-Methacrylate Sospendo		M1	M2	
C-Cylindrical Sospendo			C2	C3
S-Shaped Sospendo		S1		

Depth 485

With external lighting with back panel

Depth 485/581

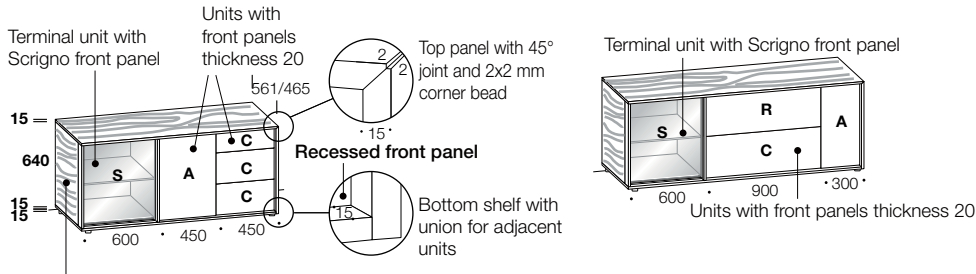
Internal/external lighting systems and power control options see page 2-13

Storage units **Scrigno**

Structural features

SIDEBOARDS WITH 3-SIDED FRAME

The end unit with exposed side panel must always have the SCRIGNO front panel with 35 mm frame. It is combined with units with 20 or 35 mm front panels and Open units. Sideboards with frame are 15 mm taller than those with full superimposed tops.



For finishing side panels with veneer, the grain is horizontal, except for veneered Termotrattato Oak which has vertical grain

OPENINGS
Push-pull



HANGING UNITS

Depth 485
see page 290

TYPES

BASE UNITS

Depth 465/561		H	H	H	H	H
Types		15	80	120	150	180
	P-Floor-standing foot	P1				
	M-Methacrylate Sospendo		M1	M2		
	C-Cylindrical Sospendo			C2	C3	
	S-Shaped Sospendo		S1			
	V-Domino Sospendo				V2	

Depth 485

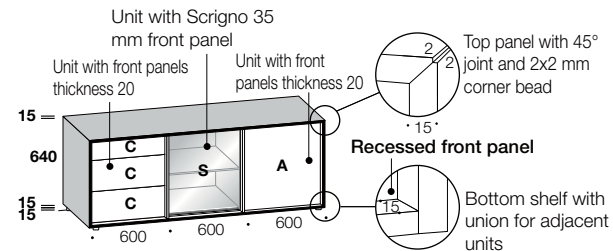
With external lighting with back panel

Depth 485/581

Internal/external lighting systems and power control options see page 2-13

SIDEBOARDS WITH 4-SIDED FRAME

The unit with SCRIGNO door is in an intermediate position relative to the Lampo units with 20 mm front panel. Sideboards with frame are 15 mm taller than those with full superimposed tops.



OPENINGS
Push-pull



HANGING UNITS

Depth 485
see page 291

BASE UNITS

Depth 465/561		H	H	H	H	H
Types		15	80	120	150	180
	P-Floor-standing foot	P1				
	M-Methacrylate Sospendo		M1	M2		
	C-Cylindrical Sospendo			C2	C3	
	S-Shaped Sospendo		S1			
	V-Domino Sospendo				V2	

Depth 485

With external lighting with back panel

Depth 485/581

Internal/external lighting systems and power control options see page 2-13

DIMENSIONS

Alignment with 35 mm-thick wooden door

