

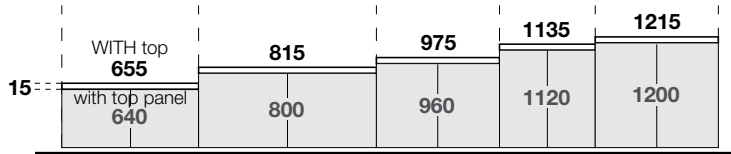
Storage units **Incontro**

Modularity

MODULARITY WITH SUPERIMPOSED TOP

heights

Feet H 15
Sospendo base support
H 80 - H 120 - H 180



depths

465	465	465	465	465
561				

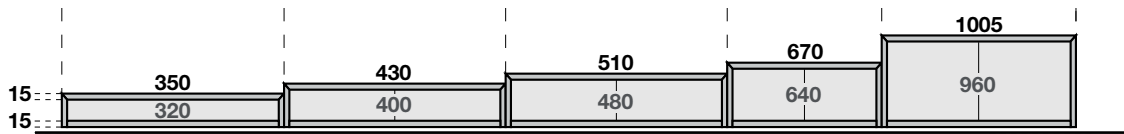
widths

1500	1950	1350	1050	1350
1800	2250	1800		
2100		2250		
2250				
2400				

MODULARITY WITH 3 AND 4-SIDED FRAME

heights

Feet H 15
Sospendo base support
H 80 - H 120 - H 180

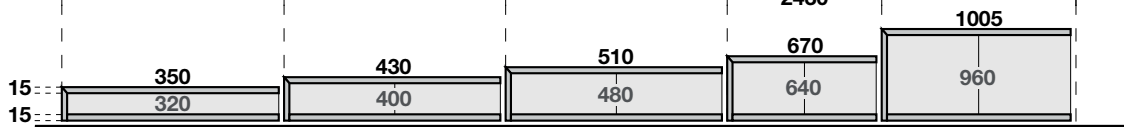


depths

465	465	465	465	465
561	561	561	561	

widths

2430	2430	2430	1530	2130
2730			1830	
3030			2130	
			2430	



depths

465	465	465	465	465
561	561	561	561	

widths

2415	2415	2415	1515	2115
2715			1815	
3015			2115	
			2415	

Incontro sideboards are made up of standard Lampo units with 20mm or 35mm thick fronts or composed with PUSH-PULL MODULAR OPENING. Units and fronts are also combined with different finishes and types. The types of opening available are shown with a code next to the fronts.

Storage units **Incontro**

Structural features

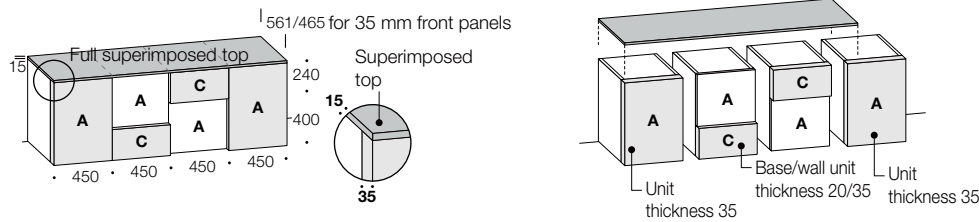
Sideboards W 2100 are supplied with two structures for assembly together, while the shared doors are supplied separately, disassembled.



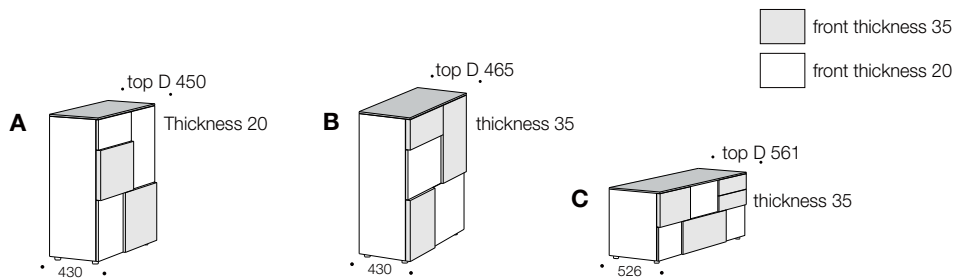
OPENINGS



SIDEBOARDS WITH SUPERIMPOSED FULL TOP



The depth of sideboards with full superimposed tops depends on the thickness of the front panels at the cover (see drawing A/B). Side front panels at the full superimposed top must always have the same thickness (see drawing C).



OPENINGS



Hanging units

Depth 465

BASE UNITS

Depth 465/561

Types	H			
	15	80	120	180
P-Floor-standing foot	P1			
M-Methacrylate Sospendo		M1	M2	
C-Cylindrical Sospendo			C2	C3
S-Shaped Sospendo		S1		

Depth 485

With external lighting with back panel

Depth 485/581

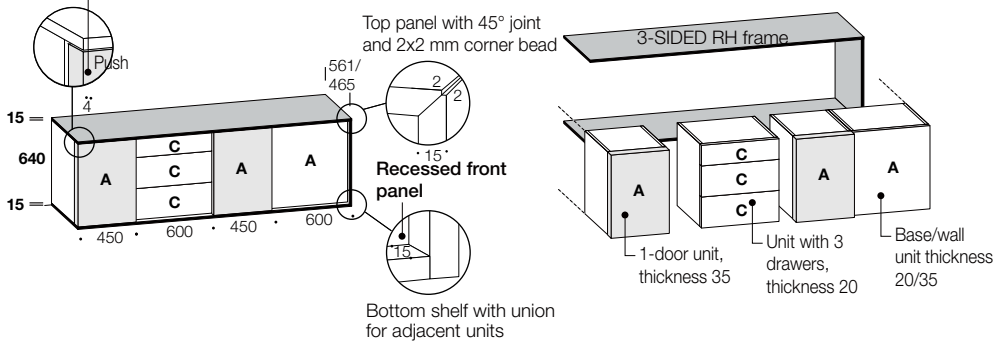
Internal/external lighting systems and power control options see page 2-13

Storage units **Incontro**

Structural features

SIDEBOARDS WITH 3-SIDED FRAME

With a 3-SIDED frame, the end unit with visible side panel must always have a 35 mm flush front panel



OPENINGS
Push-pull



Drawer
Door
Drop-down door

Hanging units

Depth 485
see page 282

Types

BASE UNITS

		Depth 465/561				
		H	H	H	H	H
Types		15	80	120	150	180
	P -Floor-standing foot	P1				
	M -Methacrylate Sospendo		M1	M2		
	C -Cylindrical Sospendo			C2	C3	
	S -Shaped Sospendo		S1			
	V -Domino Sospendo				V2	

Depth 485

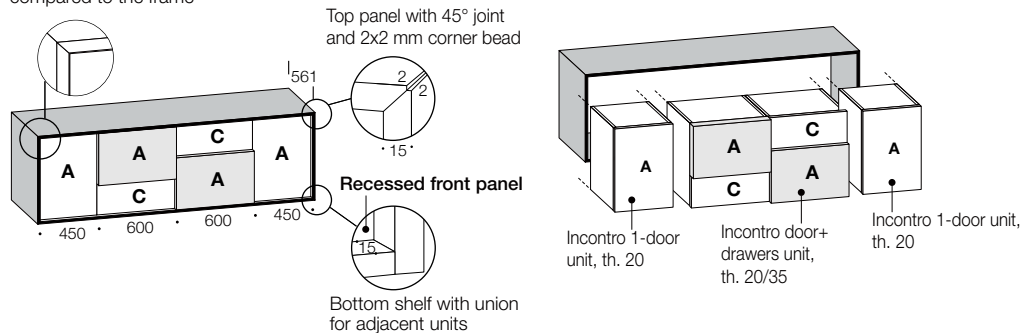
With external lighting with back panel

Depth 485/581

Internal/external lighting systems and power control options see page 2-13

SIDEBOARDS WITH 4-SIDED FRAME

Front th 20 recessed of 15 mm compared to the frame



OPENINGS
Push-pull



Drawer
Door
Drop-down door

Hanging units

Depth 485
see page 283

BASE UNITS

		Depth 465/561				
		H	H	H	H	H
Types		15	80	120	150	180
	P -Floor-standing foot	P1				
	M -Methacrylate Sospendo		M1	M2		
	C -Cylindrical Sospendo			C2	C3	
	S -Shaped Sospendo		S1			
	V -Domino Sospendo				V2	

Depth 485

With external lighting with back panel

Depth 485/581

Internal/external lighting systems and power control options see page 2-13