

Storage units **Cidori**

Technical features

MODULARITY

heights

(excluding feet)

	165	245	510
Plinth with foot H 30			
	Drawer	Drawer	Hinged door
depths	451	451	451
	537	537	537
widths	600	600	600
	900	900	900
	1200	1200	1200
	1500	1500	1800
	1800	1800	2400
	2400	2400	

PRODUCT DATA SHEET

EXTERNAL PERIMETER (fronts, side panels and back panel) in *wood particle board panels thickness 20 mm with 45°-shaped vertical edges and synthetic melamine matt, glossy lacquered or metal or wood veneer. For version with perimeter in glossy finish TOP, PLINTH AND INTERNAL SIDE OF PERIMETER ARE ALWAYS IN MATT FINISH. Internal shelves in transparent tempered glass thickness 6 mm.

TOP thickness 20 mm and PLINTH thickness 20 or 50 mm (with foot sunk in the thickness and adjustable from the inside) in *wood particle board panels with synthetic melamine matt lacquered or metal or coated with wood veneer.

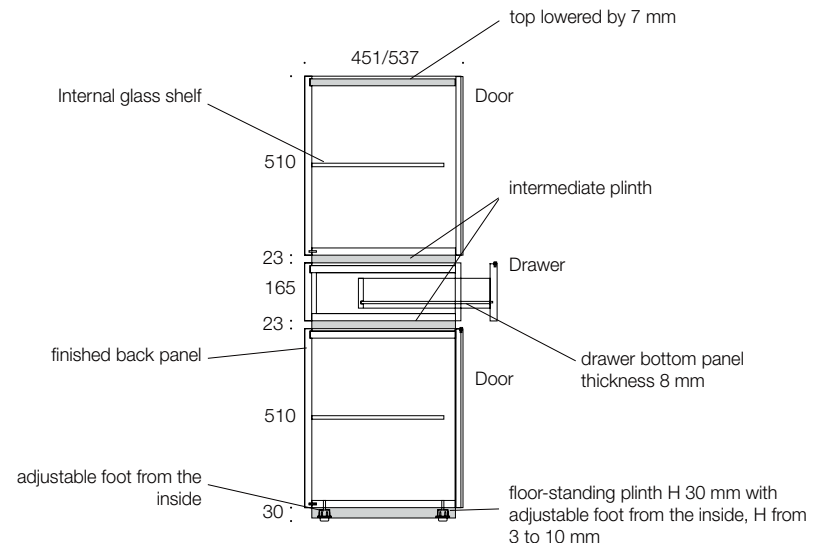
TURN DRAWER thickness 14 mm and BOTTOM thickness 8 mm in *wood particle board panels with melamine Sketch Roccia.

Tempered GLASS TOP thickness 4 mm lacquered on etched or glossy base.

*Wood and derivatives components according to the following standards: E1-TSCA-CARB-UBA.

RUNNERS FOR DRAWERS

Opening with grip: High sliding full extraction metal runners with FULL EXTRACTION, end-of-run buffer with dynamic capacity of 30 kg. "Blumotion" soft-closing mechanism integrated in the runner for a silence and soft closing system. Anti-tilting pin, vertical and inclination adjustment of fronts incorporated in all system runners. Additional stabilizer bar for drawers width 900 and "MOVENTO" runners with built-in stabilizer and also front side adjustment for drawers width 1200, 1500, 1800 and 2400.



Storage units **Cidori**

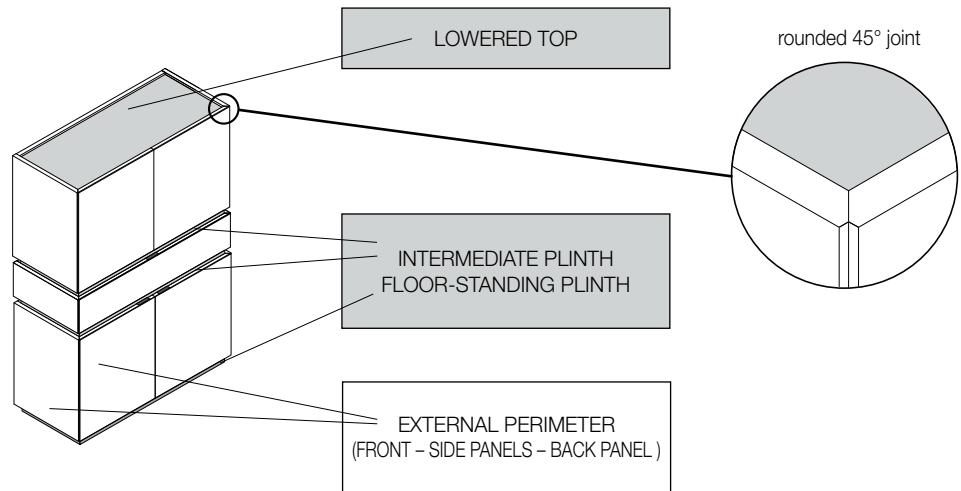
Technical features

CIDORI SYSTEM

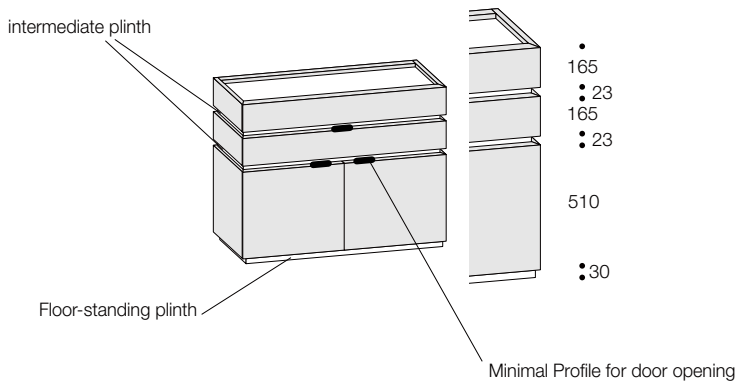
Modular units for living room characterized by the 45° joint between side panels and fronts and from the “tray” upper top which can be completed by a lacquered glass shelf, gloss or satin. The back panels are finished with the same front and side panel finishing and they contribute to form the fourth side of the “tray”.

DATA TO BE INDICATED IN THE ORDER:

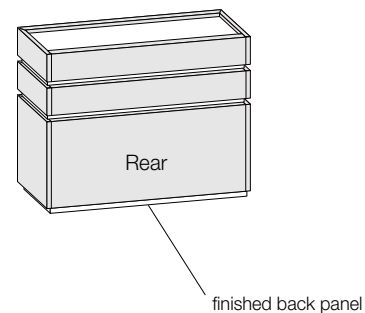
- TOP - PLINTHS Finish
(products are supplied in the same finish)
- EXTERNAL PERIMETER Finish
- Arrangement of the units to insert the Minimal profile, necessary for the front opening on the intermediate plinth.



IMPORTANT: in the order always indicate if units are superimposed



FINISHED BACK PANELS: all CIDORI elements are finished on the back side, therefore can be placed as elements in “centre of the room”



Minimal profile
(included in element's price)

COMBINATIONS WITH MINIMAL PROFILE

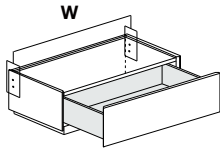
FRONTS	MINIMAL PROFILE
Carbone OAK	BROWN
Argilla OAK	CRETA matt
Grigio OAK	ANTRACITE matt
Avana OAK	DUNE matt
Cuba OAK	BROWN
CANALETTO WALNUT	BROWN
LACQUER matt/gloss	LACQUER matt/gloss
LACQUER metal	LACQUER metal

Storage units **Cidori**

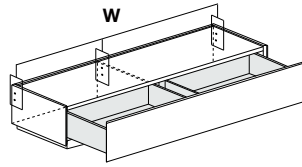
Structural features

CIDORI HANGING UNIT WITH DRAWER

Hanging units are provided with brackets for wall mounting, which have an innovative automatic system against accidental unhooking

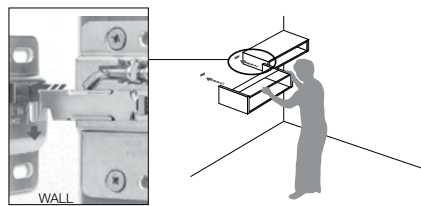


The elements with width 600/900 are supplied with 2 hangers.



Units with Width 1200 with 2 turn drawers are delivered with 3 brackets.

HANGER TYPE "B"



FRONT ADJUSTMENT



VERTICAL ADJUSTMENT



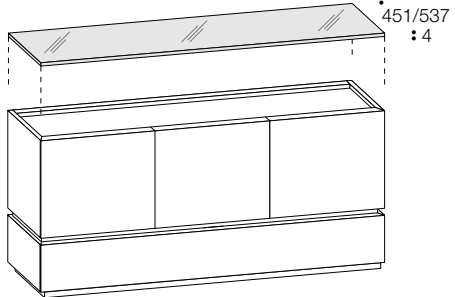
Capacity



CATAS CERTIFICATE according to the rules: TÜV - LGA

ATTENTION : the capacity is related to the hardware mounted in the furniture. The given plugs for the wall mounting may not be suitable in certain situations. The responsibility concerning the assembly of the furniture belongs to the buyer, who must evaluate the resistance of his/her wall. The stability and capacity of wall-mounted elements are guaranteed by the proper assembly and by following our instructions correctly.

The shelves inside the units are designed for the light loads typical of residential use (around 25 kg per square metre), distributed uniformly over the surface. For heavier or more concentrated loads, we recommend using single units with 450 - 600 mm width.

	W	D	Code	
Top thickness 3/4 mm	600	451	NTC207BV	Ceramic Th 3
		537	NTC407BV	
	900	451	NTC209BV	Gloss and satin lacquered glass Dark mirror Ossido Bruno Bush-hammered Pietra di Savoia Antracite matt Nero greco matt Fusion white
		537	NTC409BV	
	1200	451	NTC212BV	
		537	NTC412BV	
	1500	451	NTC215BV	
		537	NTC415BV	
	1800	451	NTC218BV	
		537	NTC418BV	
	2400	451	NTC224BV	
		537	NTC424BV	

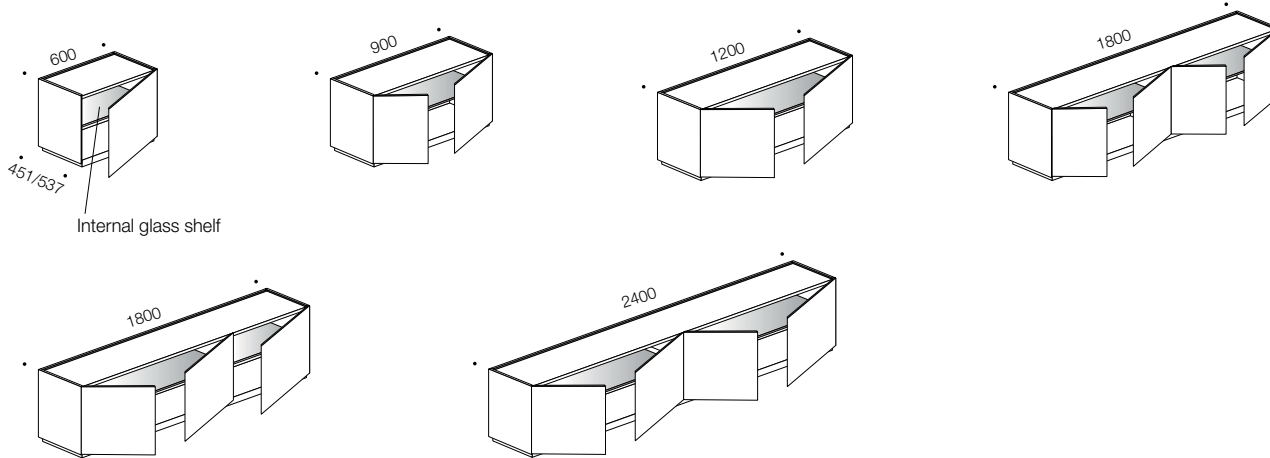
N.B.: For made-to-measure glass and ceramic tops, take the price of the larger size + € 40 surcharge for the cutting.

Storage units **Cidori**

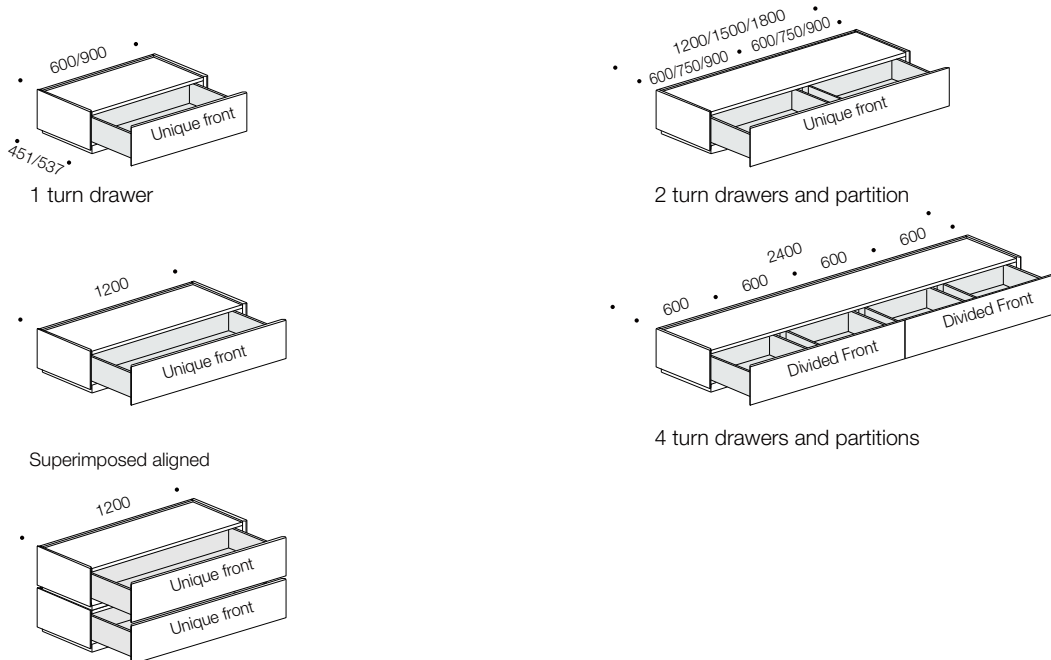
Structural features

DOOR UNIT STRUCTURES

Cidori elements with hinged doors are supplied with a glass shelf placed in the middle of the compartment.



STRUCTURES FOR UNITS WITH DRAWER



W 1200 with single surround, cover with warping bar and opening stabilizer mechanism.

Top panel max capacity 10 kg
It is possible to overlap aligned drawer units with one drawer with the same width.