

# Peplo

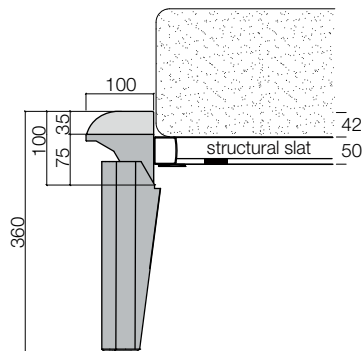


## FEATURES

MATERIALS	Headboard	Structure in *wood and derivatives coated with polyurethane foam with different quotes with pre cover in polyester wadding. Removable fabric cover or not removable Ecoleather-Leather cover with vertical stitchings and "reverse" perimetic packaging. Leather cover with headboard back in technical canvas available, with surcharge, also with the same finish as the front.
	Bed frame	In solid *wood thickness 100 mm stained and shaped. The upper side of bed frame is padded with polyurethane foam with not removable fabric cover with additional Ecoleather-Leather stitchings.

\*Wood and derivatives components according to the following standards: E1-TSCA-CARB-UBA.

SHAPED bed frame section  
WITH FOOT **-P-** IN WOOD



SHAPED bed frame section  
WITH FOOT **-V-** IN SHAPED METAL

