

# Nest padded

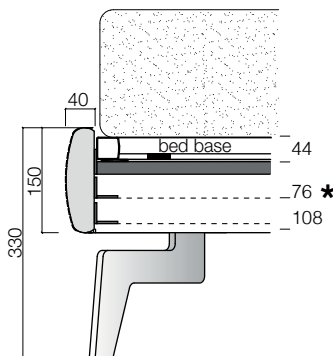


## FEATURES

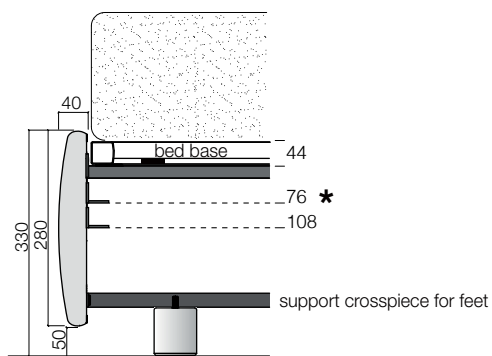
MATERIALS	Headboard	Structure in *wood or derivatives coated with polyurethane foam with differentiated quotes with pre cover in polyester wadding. Removable fabric cover and not removable Ecoleather and Leather cover packed with a longitudinal stitching next to the rounded unit. Leather cover with headboard back in technical canvas available, with surcharge, also with the same finish as the front.
	Bed frame	Structure, also for storage unit, in *wood or derivatives coated with polyurethane foam with differentiated quotes with pre cover in polyester wadding. Removable fabric cover. Not removable Ecoleather, Leather cover with packaged sides and footboard.

\*Wood and derivatives components according to the following standards: E1-TSCA-CARB-UBA.

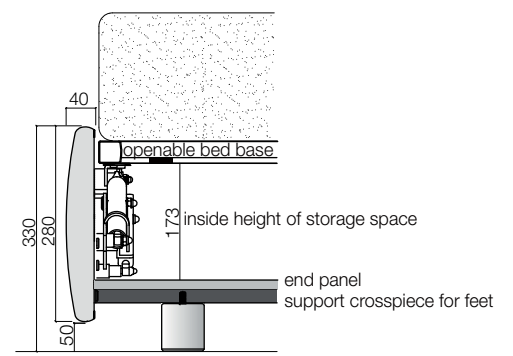
Bed frame section H 150  
WITH FOOT -X- IN SHAPED METAL



Bed frame section H 280  
PADDED



Bed frame section H 280  
with STORAGE SPACE



For specifications on storage space see page 56



\* Positions of height adjustable bed base supports for anatomical bed bases or built-in mattresses