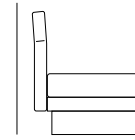


Milo

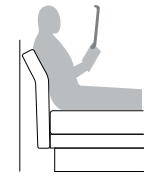


RECLINING HEADBOARD

Position 1



Position 2



120

FEATURES

MATERIALS

Headboard

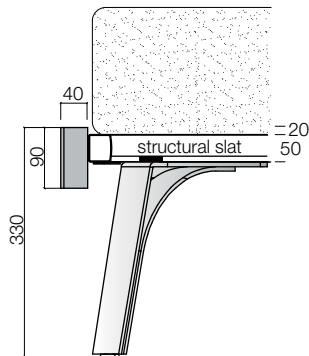
Structure in *wood and derivatives, covered with differentiated thicknesses of polyurethane foam and pre-padded with polyester padding, complete with reclining clutch mechanism. Removable covers in fabric, ecoleather or leather, finished with braided edging, also on the lengthwise seams that create the padded roundness of each cushion. Leather upholstery has back of headrest in technical fabric, available with surcharge in the same finish as the front part.

Bed frame

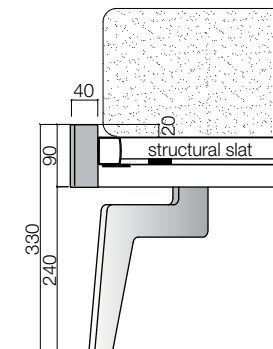
In *wood particle board panels thickness 40 mm, for foot or for storage space with recessed sides, with corner 45°-joint and veneered Oak and Walnut, in synthetic melamine in wood effect or calce and in white melamine for matt lacquered.

*Wood and derivatives components according to the following standards: E1-TSCA-CARB-UBA.

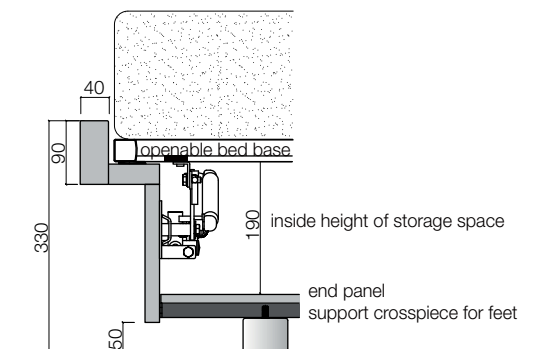
Bed frame section H 90 WITH FOOT **-V-** IN SHAPED METAL



Bed frame section H 90 WITH FOOT **-X-** IN SHAPED METAL



Bed frame section H 90 with STORAGE SPACE



For specifications on storage space see page 56

