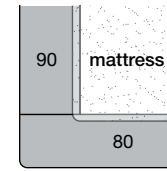
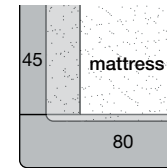


# Folio wood



QUEEN SIZE  
mattress overlap

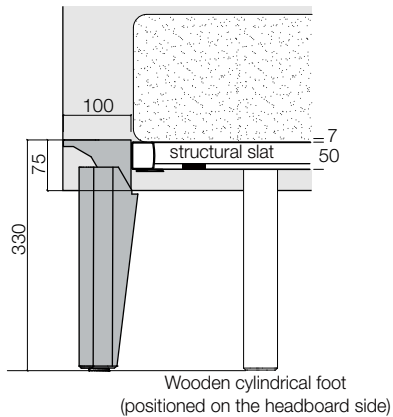


KING SIZE  
mattress overlap

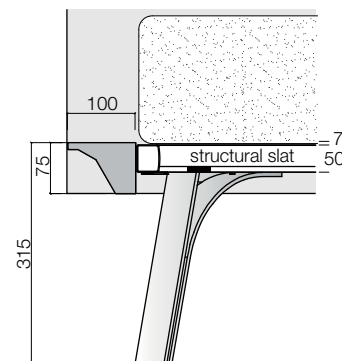
## FEATURES

MATERIALS	Headboard	Structure in medium density *wood particle board panels 45°-shaped along edges and coated with Oak or Walnut veneer.
	Bed frame	For foot, in solid *wood thickness 100 mm stained, shaped and coated on upper side in veneered Oak or Walnut. For storage unit with recessed sides, in *wood particle board panels thickness 40 mm with corner 45°-joint and coated with Oak or Walnut veneer.
		*Wood and derivates components according to the following standards: E1-TSCA-CARB-UBA.

SHAPED bed frame section  
WITH FOOT **-P-** IN WOOD



SHAPED bed frame section  
WITH FOOT **-V-** IN SHAPED METAL



Bed frame section H 90  
with STORAGE SPACE

