

Febo 2.0

Bed with padded headboard panel



Febo 2.0

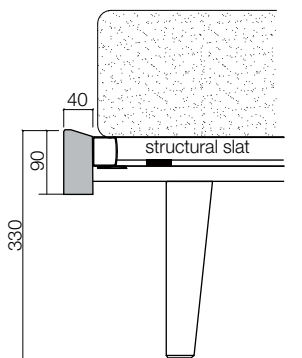


Febo 2.0 HIGH

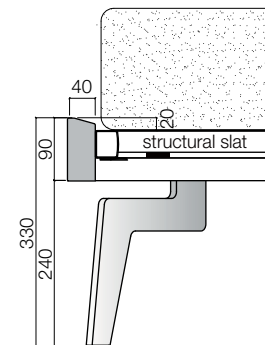
FEATURES

MATERIALS	Headboard	Side uprights for headboard and bed frame made of solid *wood thickness 40 mm veneered in Oak with 45°-joint between footboard, sides and headboard. Perimetric shapings create a shelf inclined inwards to accommodate the bed base horizontally and the medium density wooden headboard panel vertically, padded in shaped polyurethane foam with not removable Ecoleather or Leather cover with vertical stitchings and veneered headboard back.
	Headboard FEBO HIGH	Headboard panel with not removable Ecoleather and Leather cover also on back. Leather cover with headboard back in technical canvas available, with surcharge, also with the sae finish as the front.
	Bed frame	In solid *wood with perimetric shaping coated with veneered Oak also for storage unit with recessed sides and corner 45°-joint. *Wood and derivate components according to the following standards: E1-TSCA-CARB-UBA.

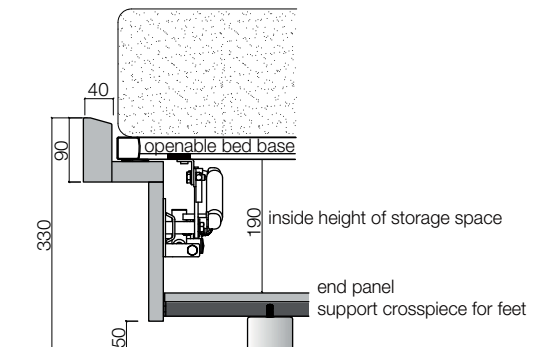
Bed frame section H 90
with WOODEN FOOT



Bed frame section H 90
WITH FOOT -X- IN SHAPED
METAL



Bed frame section H 90
with STORAGE SPACE



For specifications on storage space see page 56

