

Febo 1.0

Padded with wooden headboard



FEATURES

MATERIALS

Headboard

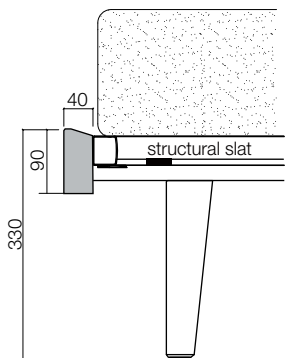
Side uprights for headboard and bed frame made of solid *wood thickness 40 mm veneered in Oak with 45°-joint between footboard, sides and headboard. Perimetric shapings create a shelf inclined inwards to accommodate the bed base horizontally and the medium density wooden headboard panel vertically, coated in veneered Oak

Bed frame

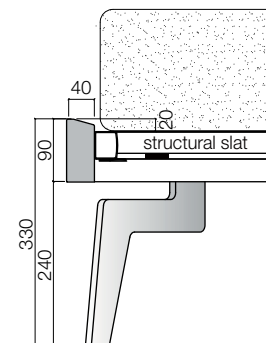
In solid *wood with perimetric shaping coated with veneered Oak also for storage unit with recessed sides and corner 45°-joint.

*Wood and derivatives components according to the following standards: E1-TSCA-CARB-UBA.

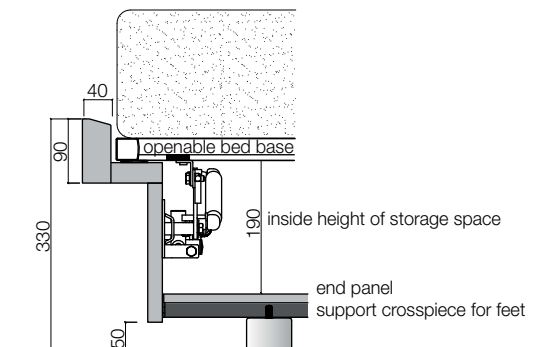
Bed frame section H 90
with WOODEN FOOT



Bed frame section H 90
WITH FOOT -X- IN SHAPED METAL



Bed frame section H 90
with STORAGE SPACE



For specifications on storage space see page 56

