

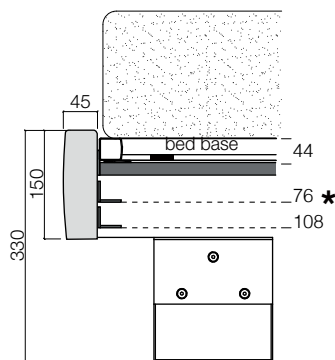
# Dorian Plano



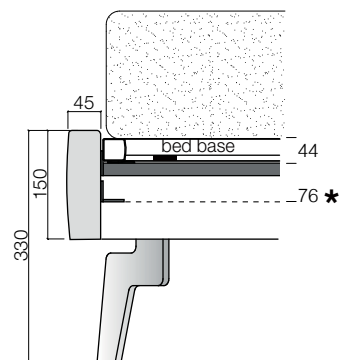
## FEATURES

<b>MATERIALS</b>	<b>Headboard</b>	Structure in *wood or derivatives coated with polyurethane foam with differentiated quotes with pre cover in polyester wadding. Removable fabric, Ecoleather and Leather cover with a longitudinal stitching next to the rounded unit. Leather cover with with headboard back in technical canvas available, with surcharge, also with the same finish as the front.
	<b>Bed frame</b>	Structure, also for storage unit, in *wood or derivatives coated with polyurethane foam with differentiated quotes with pre cover in polyester wadding. Square with perimetric stitching and removable fabric, Ecoleather and Leather cover.  *Wood and derivatives components according to the following standards: E1-TSCA-CARB-UBA.

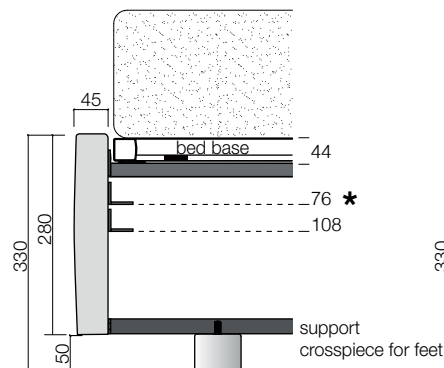
Bed frame section H 150  
WITH FOOT **-M-** METHACRYLATE



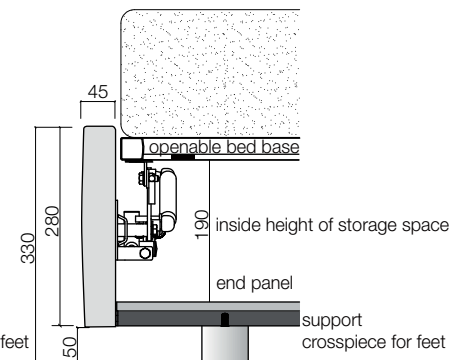
Bed frame section H 150  
WITH FOOT **-X-** IN SHAPED METAL



Bed frame section H 280



Bed frame section H 280  
with STORAGE SPACE



For specifications on storage space see page 56

\* Positions of height adjustable bed base supports for anatomical bed bases or built-in mattresses