

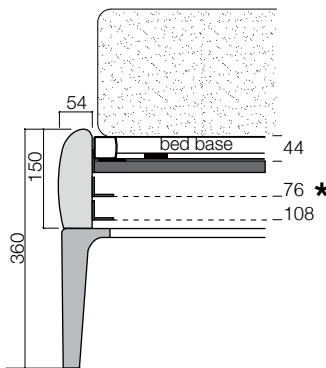
Dorian with base support



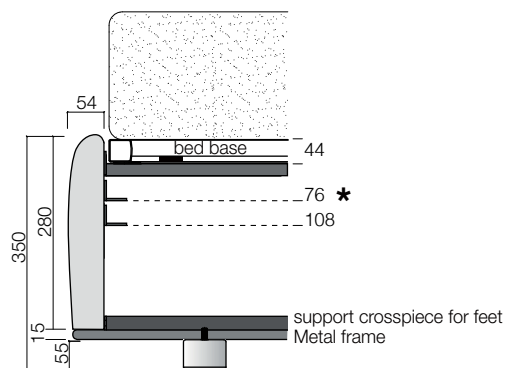
FEATURES

MATERIALS	Headboard	Structure in *wood or derivatives coated with polyurethane foam with differentiated quotes with pre cover in polyester wadding. Removable fabric, Ecoleather and Leather cover with a longitudinal stitching next to the rounded unit. Leather cover with with headboard back in technical canvas available, with surcharge, also with the same finish as the front.
	Bed frame	Structure, also for storage unit, in *wood or derivatives coated with polyurethane foam with differentiated quotes with pre cover in polyester wadding. Tapered in height, with removable fabric, Ecoleather and Leather cover.
	Base support and frame	Extruded aluminium with die-cast aluminium. *Wood and derivatives components according to the following standards: E1-TSCA-CARB-UBA.

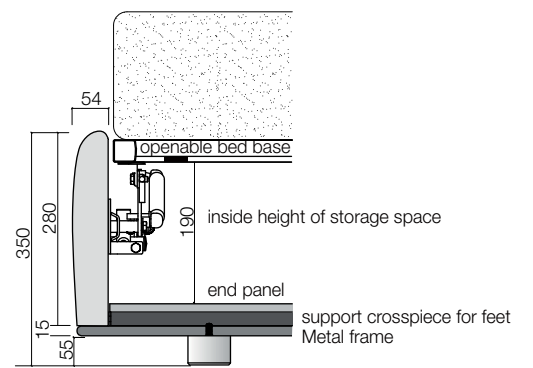
Bed frame section H 150 with METAL BASE SUPPORT



Bed frame section H 280 with METAL FRAME



Bed frame section H 280 with METAL FRAME and STORAGE SPACE



For specifications on storage space see page 56



* Positions of height adjustable bed base supports for anatomical bed bases or built-in mattresses