

Ariel

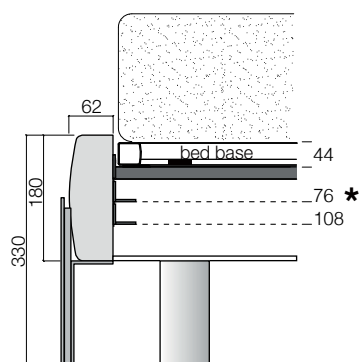


FEATURES

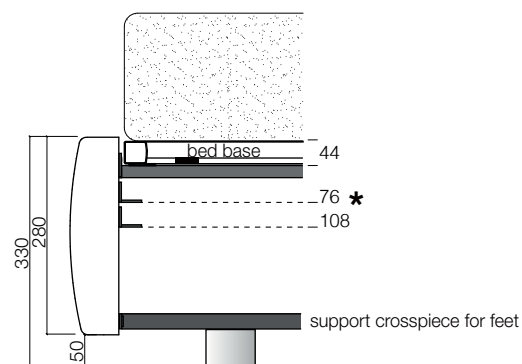
MATERIALS	Headboard	Structure in *wood or derivatives coated with polyurethane foam with differentiated quotes with pre cover in polyester wadding. Removable fabric cover and not removable Ecoleather and Leather cover. Leather cover with headboard back retro in technical canvas available, with curcharge, also with the same finish as the front.
	Bed frame	Structure, also for storage unit, in *wood or derivatives coated with polyurethane foam with differentiated quotes with pre cover in polyester wadding. Removable fabric, Ecoleather, Leather cover.
	Front foot	In laser-cut steel, shaped and covered on visible parts with veneered Oak or Walnut or completely metal painted. Each foot comprises two coupled plates: the external one can be pulled out so that the bed frame cover can be removed

*Wood and derivatives components according to the following standards: E1-TSCA-CARB-UBA.

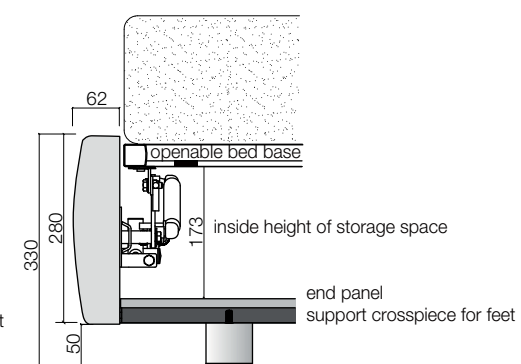
Bed frame section H 180
with METAL FOOT



Bed frame section H 280



Bed frame section H 280
with STORAGE SPACE



For specifications on storage space see page 56



* Positions of height adjustable bed base supports for anatomical bed bases or built-in mattresses