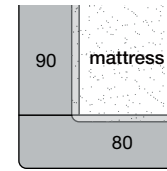
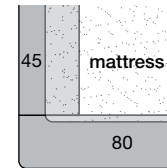


# Abbraccio wood



QUEEN SIZE  
mattress overlap

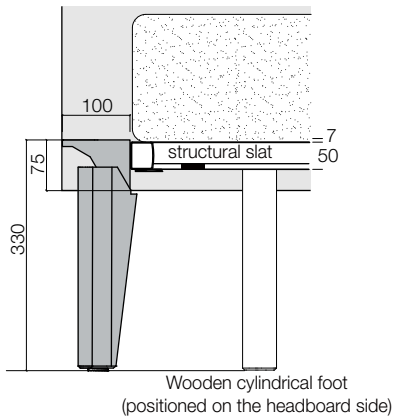


KING SIZE  
mattress overlap

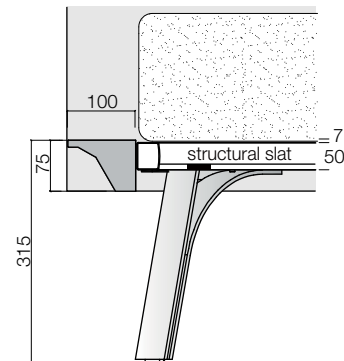
## FEATURES

<b>MATERIALS</b>	<p><b>Headboard back</b> Structure in medium density *wood particle board panels 45°-shaped along edges and coated with Oak or Walnut veneer.</p> <p><b>Cushions</b> Padded with polyurethane foam shaped with pre cover in polyester wadding. Total removable cover in Fabric and Ecoleather. Removable cover in leather with back cushion in technical fabric.</p> <p><b>Bed frame</b> For foot, in solid *wood thickness 100 mm stained, shaped and coated on upper side in veneered Oak or Walnut. For storage unit with recessed sides, in *wood particle board panels thickness 40 mm with corner 45°-joint and coated with Oak or Walnut veneer.</p> <p>*Wood and derivates components according to the following standards: E1-TSCA-CARB-UBA.</p>
------------------	---

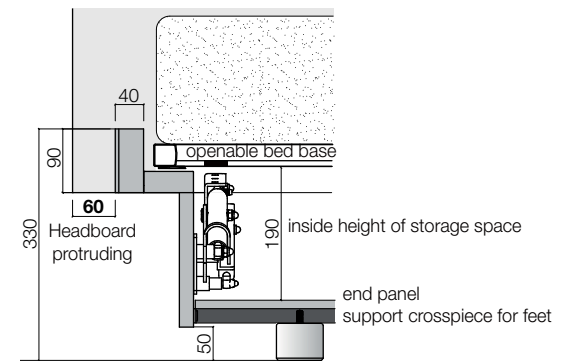
SHAPED bed frame section  
WITH FOOT **-P-** IN WOOD



SHAPED bed frame section  
WITH FOOT **-V-** IN SHAPED METAL



Bed frame section H 90  
with STORAGE SPACE



For specifications on storage space see page 56

