

Abbraccio Graphic

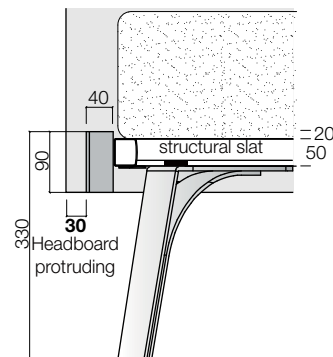


FEATURES

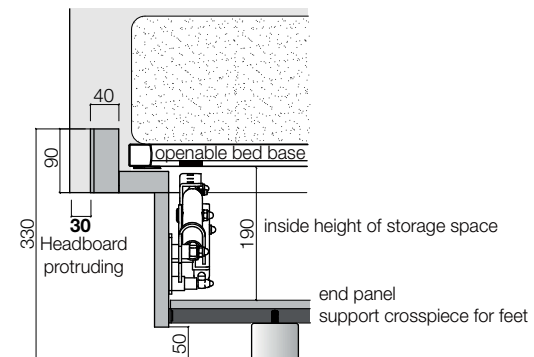
MATERIALS	Headboard back	Structure in *wood particle board panel shaped 45° along the edges and coated in synthetic melamine wood effect or calce or coated in white melamine for matt lacquered.
	Cushions	Padded with polyurethane foam shaped with pre cover in polyester wadding. Total removable cover in Fabric and Ecoleather. Removable cover in leather with back cushion in technical fabric.
	Bed frame	For foot and for storage unit with recessed sides, in *wood particle board panels thickness 40 mm with corner 45°-joint, coated in synthetic melamine in wood effect or calce or coated in white melamine for matt lacquered.

*Wood and derivates components according to the following standards: E1-TSCA-CARB-UBA.

Bed frame section H 90
WITH FOOT -V- IN SHAPED METAL



Bed frame section H 90
with STORAGE SPACE



For specifications on storage space see page 56

