

System **Ecletto**

Diletto benches

PADDED BEDS PLACED ON DILETTO BENCHES



Dorian Plano



Gaston Plano



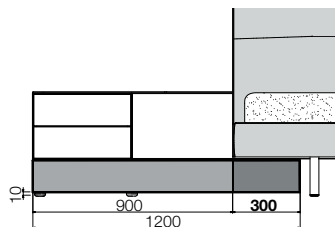
Febo 3.0

Feet on headboard side are replaced by a cylindrical support positioned at 300 mm inside the side edge of the bed.

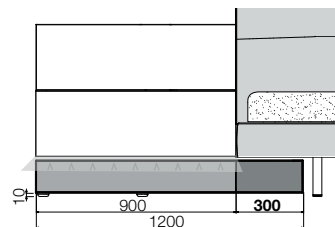
Feet on footboard side: **-M-** methacrylate or **-X-** metal feet.

Diletto benches are fitted with an adjustable foot H. 15

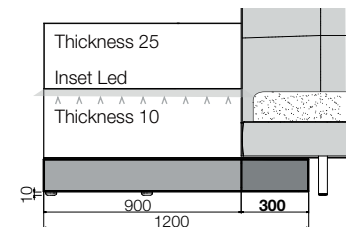
BOISERIE HEIGHT POSITIONS



Flush to the bench



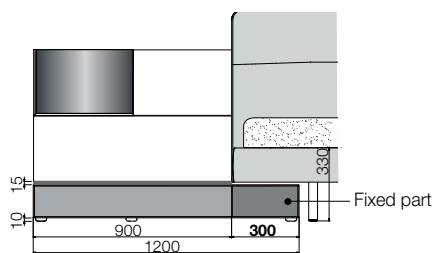
Raised of 15 mm to create a lower blade of light



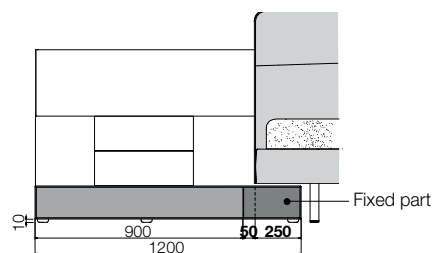
Double thickness with horizontal light blade

BED WIDTH POSITIONS To respect the width modularity of boiserie, beds can be placed on bench, according to their width, as the diagram below.

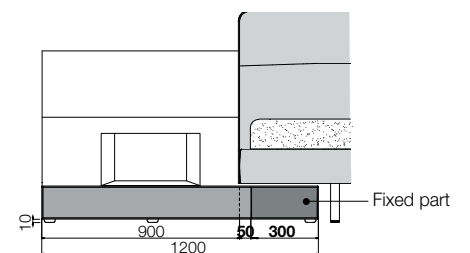
BED DIMENSIONS W 1700/1800/1900



Solution with bed 1800 (bed base W 1700)



Solution with bed 1700 (bed base W 1600)

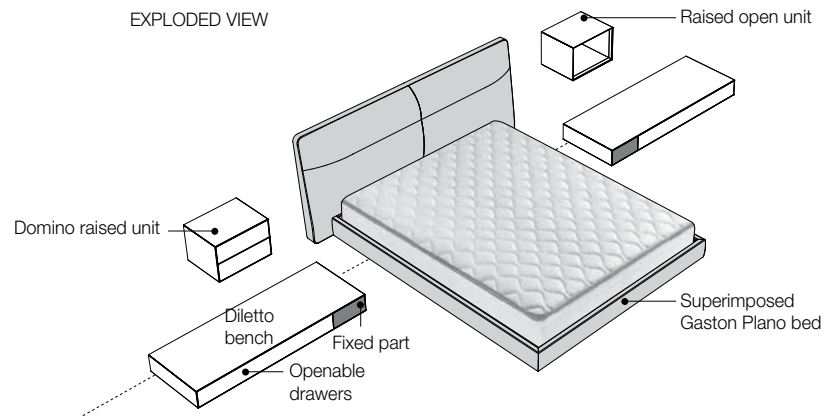
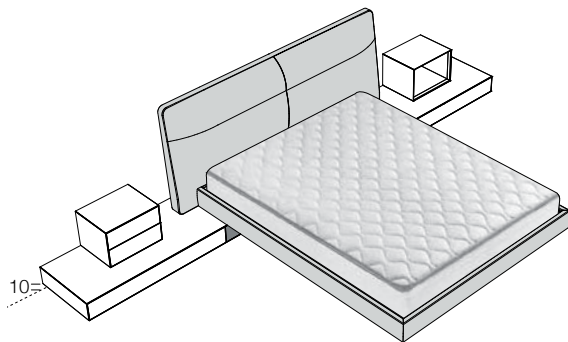


Solution with bed 1900 (bed base W 1800)

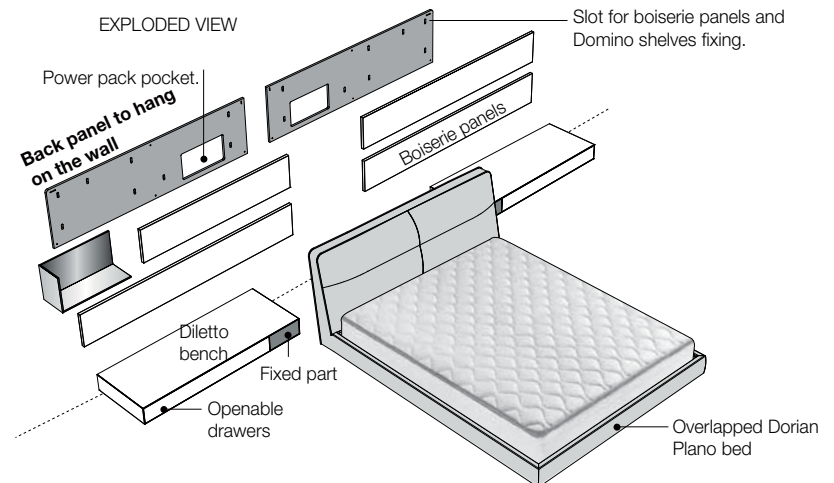
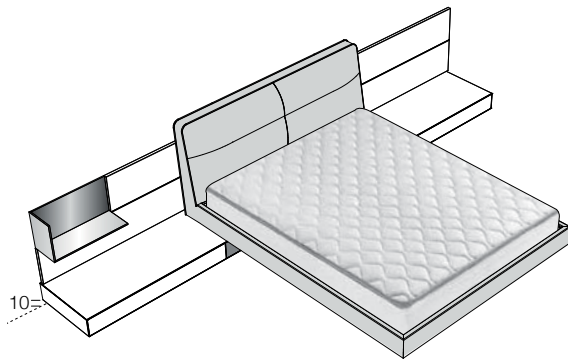
System **Ecletto**

Diletto benches

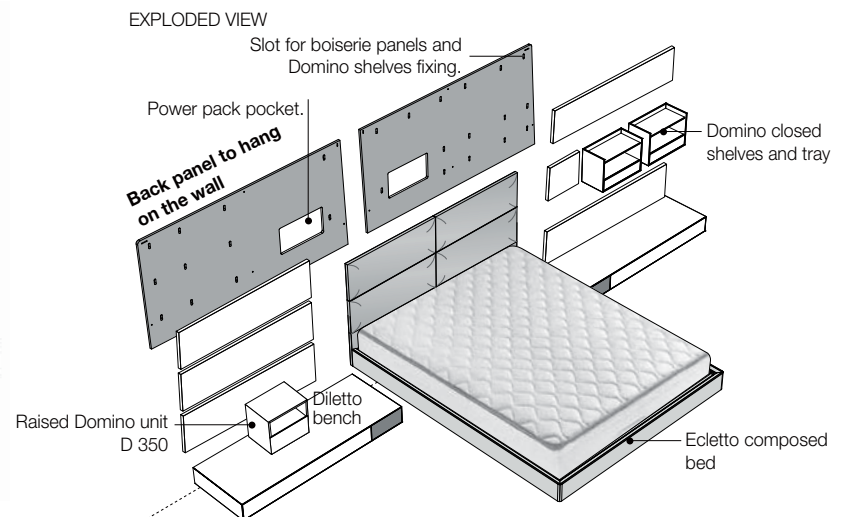
BENCH WITH SUPERIMPOSED BED



BENCH WITH MODULAR ECLETTO BOISERIE AND SUPERIMPOSED BED



ECLETTO EQUIPPED BED WITH DILETTO BENCH



In this case the bench is delivered with foot H 30 to respect the modularity in height of boiserie, and allows the bed frame to be anchored to the black back panel.