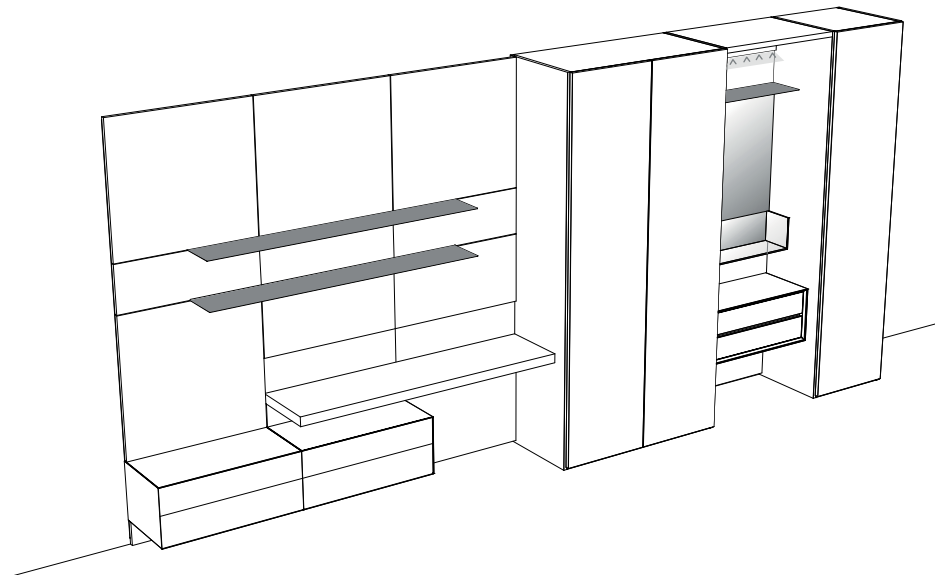


Domino boiserie for wardrobe

BOISERIE AND DOMINO SHELVES MODULARITY FOR WARDROBE

For simplicity, the modular sizes are shown in the price list

Panels															
Nominals	147	222	297	372	447	597	747	897	1197	1347	1497	1797	2097	2397	2697
Modular	150	225	300	375	450	600	750	900	1200	1350	1500	1800	2100	2400	2700
Domino shelves															
Nominals	296	446	596	896	1196										
Modular	300	450	600	900	1200										
Metal and wooden shelves															
Nominals		446	596	746	896	1196	1346	1496	1796	2096	2396				
Modular		450	600	750	900	1200	1350	1500	1800	2100	2400				



TECHNICAL SHEET

BACK PANEL

Black *mdf panel thickness 19 delivered entire up to a maximum dimension of 2700x1200 mm. In all other cases, the panels are coupled.

MODULAR BOISERIE PANELS

*wood particle board panels thickness 25/10 faced with synthetic melamine also matt lacquered or veneered with brushed stained oak with open pore varnish for wood finishes. "Flat", rounded and padded with shaped polyurethane panels are pre-coated with polyester wadding and with removable fabric cover or with not removable ecoleather and leather cover.

BOISERIE PANELS WITH MIRROR

*wood particle board panels thickness 20 faced with synthetic melamine. The 4 mm thick Dark and Silver mirror is glued to the synthetic melamine panel

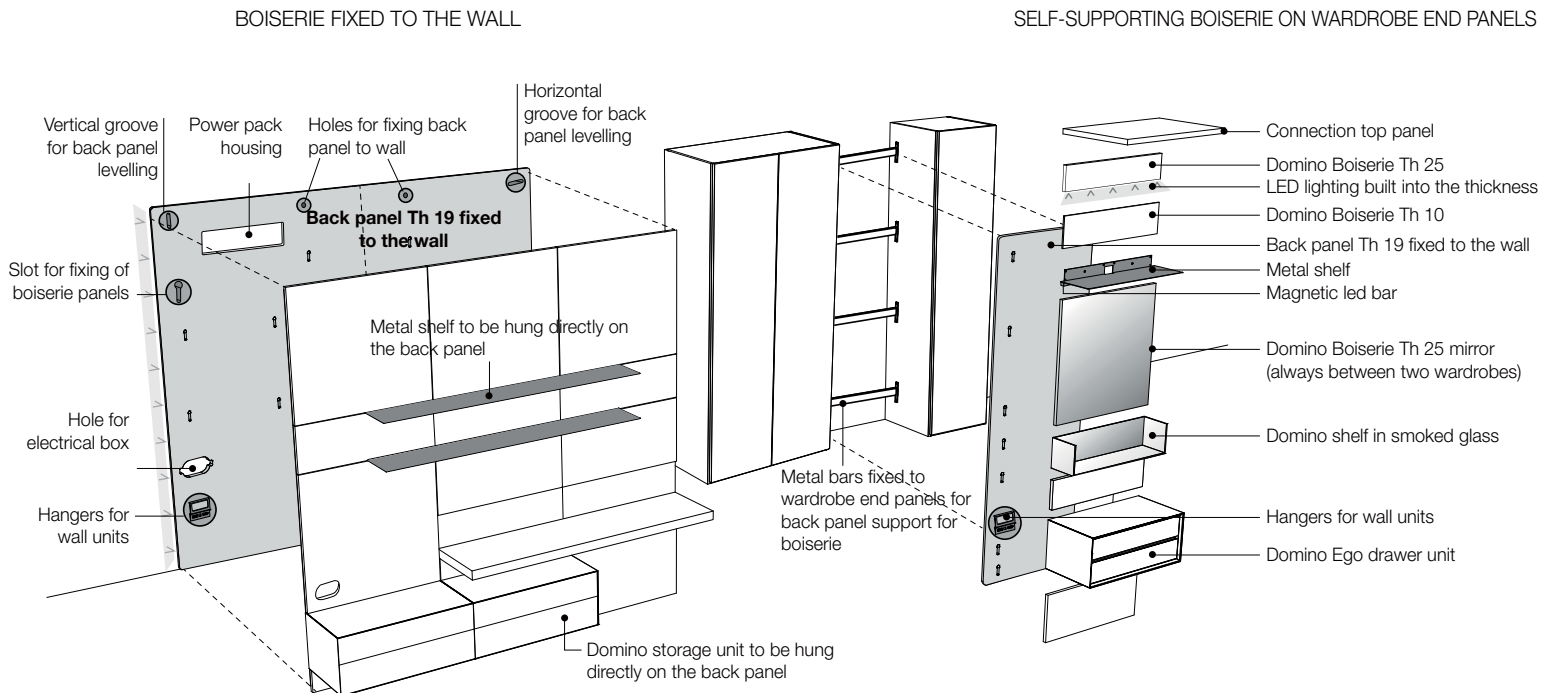
Domino boiserie for wardrobe

FEATURES

The boiserie panels, shelves and Domino storage units are hung by means of a 19 mm THICK BLACK MDF BACK PANEL, which comes with all the hanging fittings and hardware to be hung on the bars between the wardrobe sides or directly on the wall, and is included in the price of the boiserie panels. It can be completed with a perimeter LED light embedded into the thickness of the edge, keeping the boiserie panels 24 mm from the wall.

The back panel is split on a case-by-case basis to suit the size of the specific composition in order to facilitate its transportation and cuts are usually made to coincide with the start or end of a boiserie panel or a storage unit.

Domino storage units and metal shelves are secured to the back panel. The boiserie is installed at a distance of 5 mm to provide a gap to house the wiring.



NOTES FOR ASSEMBLY

Space required for installation of boiserie panels

Width + 6 mm Hieght + 25 mm

- The back panel is fixed to the wall and levelled using the horizontal and vertical grooves.
- Storage units and Domino shelves are fixed to the back panel with dedicated attachments.
- Shelves and metal partitions are secured to the back panel.
- The wiring of the various components is included.
- The boiserie panels are fixed to the back panel by inserting the support pins into the slots on the back panel; there is a gap between the back panel and the boiserie panels to house the wiring

Domino boiserie for wardrobe

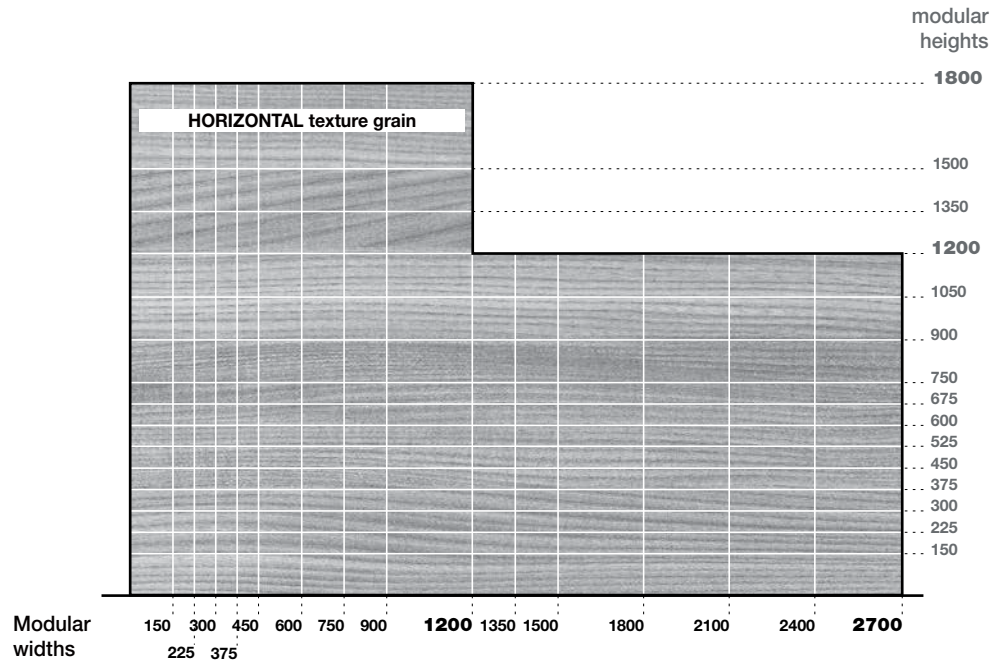
DOMINO BOISERIE MODULARITY
WITH HORIZONTAL GRAIN

TH 10 AND 25

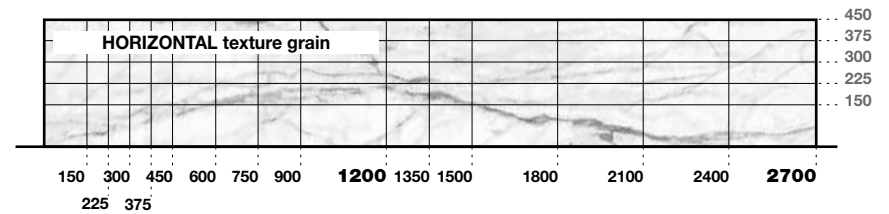
Stained Oak
Termot. Oak
Canaletto walnut

Thickness 25
Melamine finish

- Sketch
- Olmo
- Econoce



TH 12 Ceramic



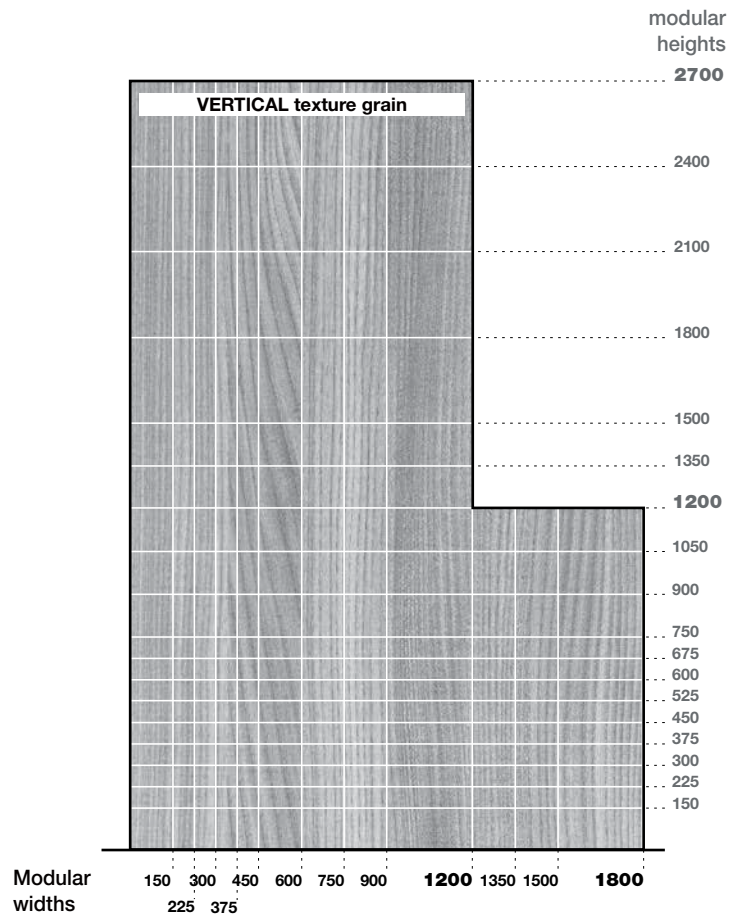
DOMINO BOISERIE MODULARITY
WITH VERTICAL GRAIN

TH 10 AND 25

Stained Oak
Termot. Oak
Canaletto walnut

Thickness 25
Melamine finish

- Sketch
- Olmo
- Econoce



Domino boiserie for wardrobe

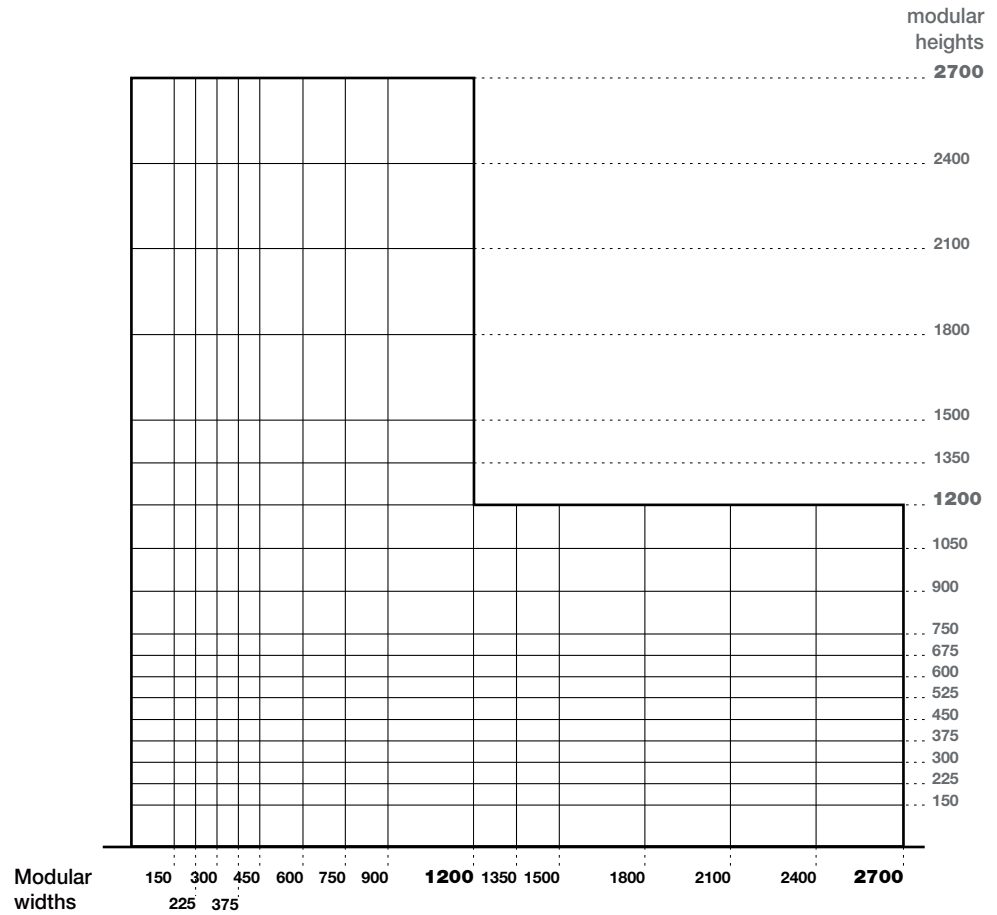
DOMINO BOISERIE MODULARITY

TH 10 AND 25
 Matt lacquered
 Metal lacquered

TH 27
 Ecoleather
 Leather (where specified)

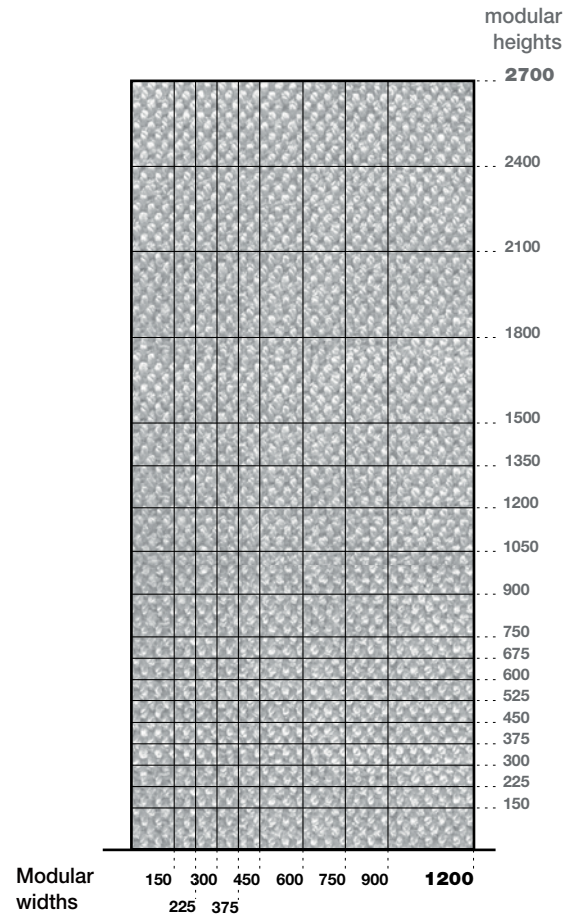
Thickness 25
 Melamine finish
 - Loto

Thickness 25
 Dark mirror



DOMINO BOISERIE MODULARITY

TH 27
 Fabric



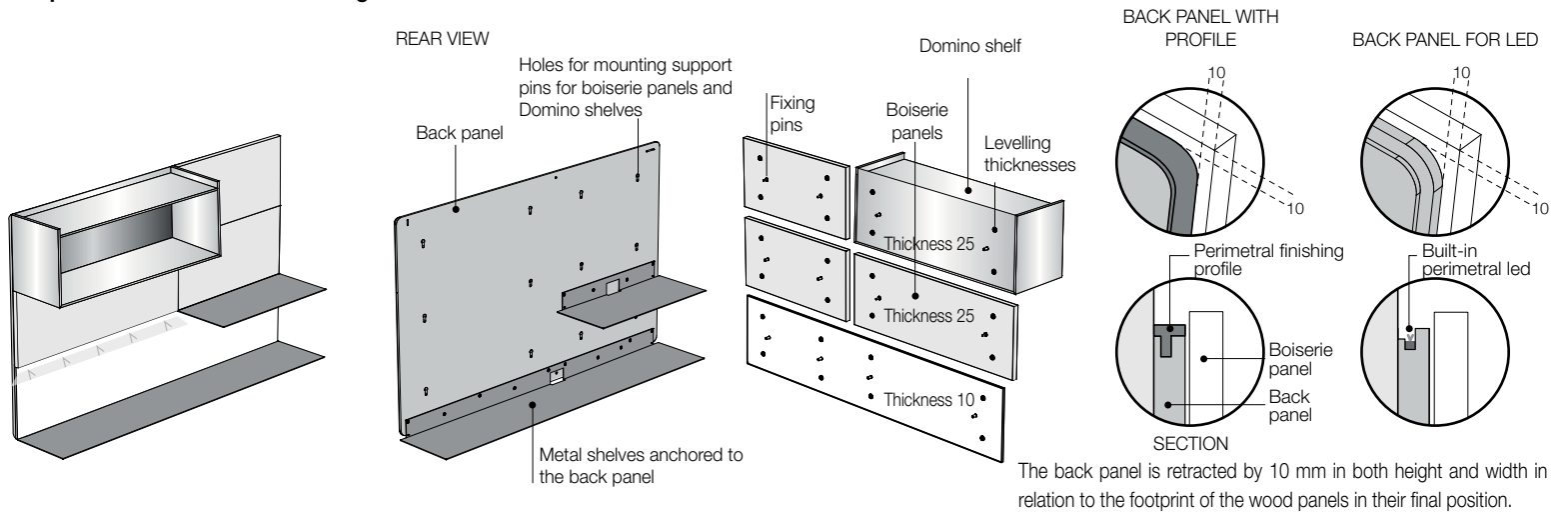
Domino boiserie

Technical features

LINEAR BOISERIE PANELS

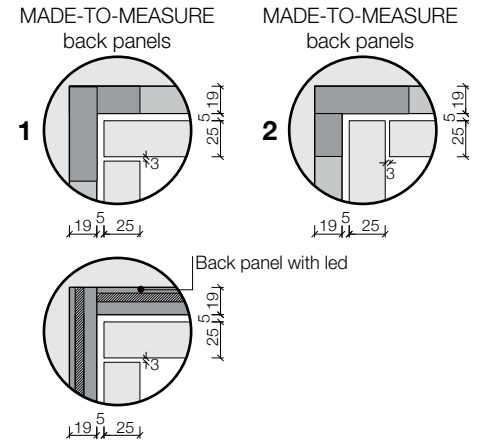
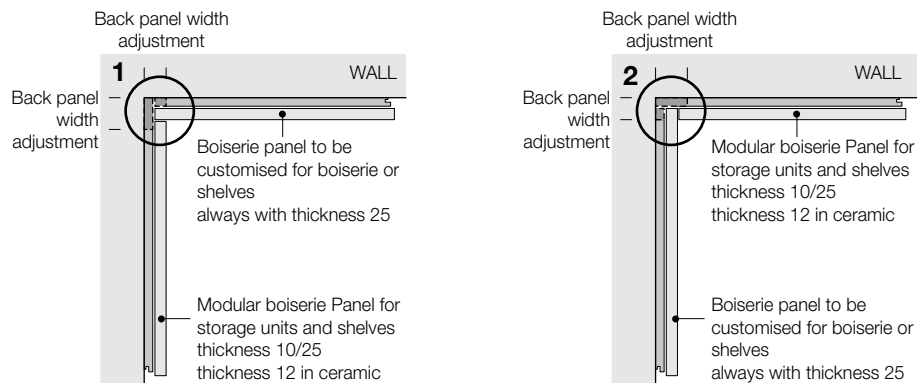
The space required for assembly of boiserie panels and Domino shelves is: in width + 6 mm in height + 25 mm.

The panels are at 3 mm both in height and in width.



BOISERIE PANELS FOR CLOSED CORNER (Melamine finish/lacquered/veneered panels)

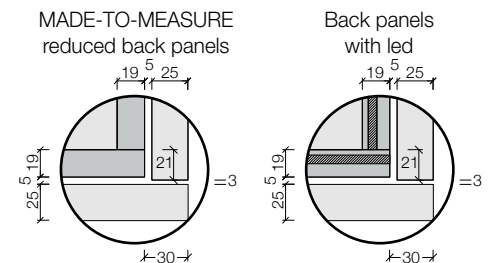
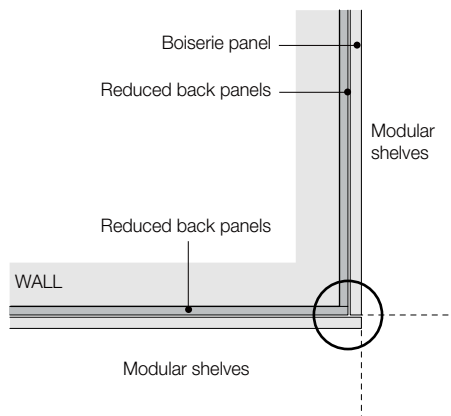
The width of the back panels is customised so the boiserie panels can be installed side-by-side: one side remains modular with the footprints of the storage units and shelves, the other must be customised to align with any storage units and shelves.



BOISERIE PANELS FOR OPEN CORNER (Melamine finish/lacquered/veneered panels)

Both back panels are reduced in width, unlike the boiserie panels, which maintain their modular dimensions. Installation behind wooden or metal shelves is therefore possible.

Assembly close to storage units is not possible.

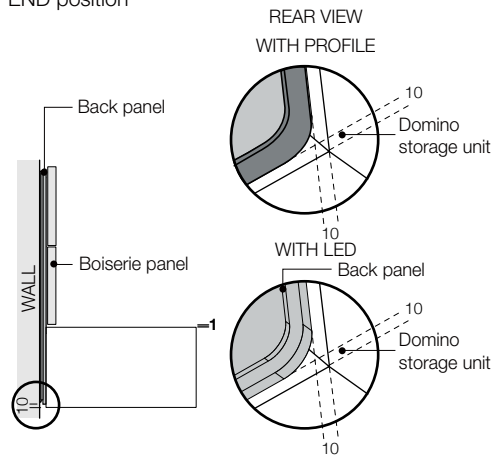


Domino boiserie

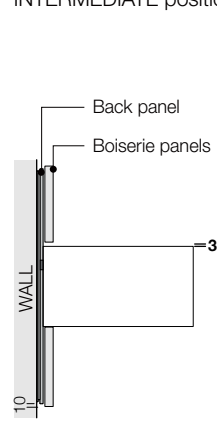
Technical features

BOISERIE WITH DOMINO STORAGE UNITS Hanging on the back panel

Domino storage unit in
END position

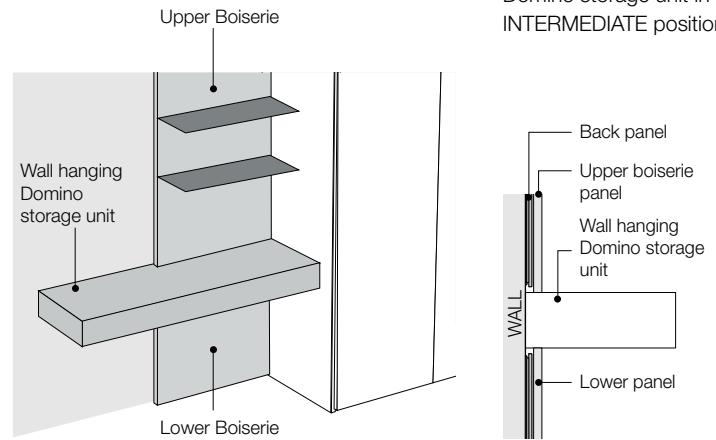


Domino storage unit in
INTERMEDIATE position



BOISERIE WITH INDEPENDENT LAMPO STORAGE UNITS

Domino storage unit in
INTERMEDIATE position

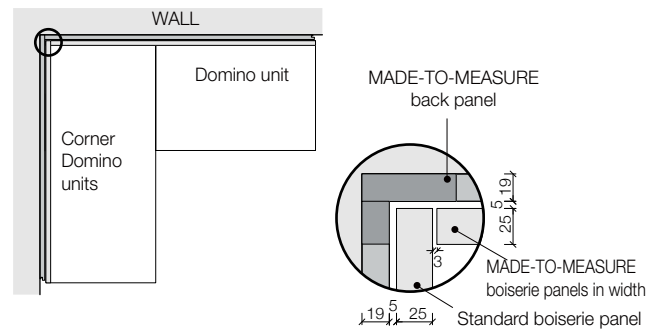
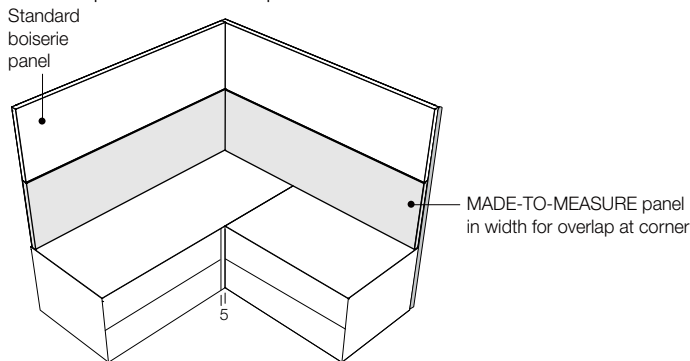


The back panel has a through-hole so that the wall unit hardware can be secured to the wall with screws and screw anchors. The back panels are 10 mm smaller in both height and width also in relation to the wall units in their final position.

BOISERIE ON DOMINO CORNER STORAGE UNITS (wall boiserie)

Corner storage units can also be mounted on the back panel, the boiserie panels must be adjusted in width.

Out-of-square solutions not possible.



SIDE BOISERIE ON DOMINO STORAGE UNITS

(flush with storage units in depth)

In this case, the vertical closing profile cannot be inserted

REAR VIEW

