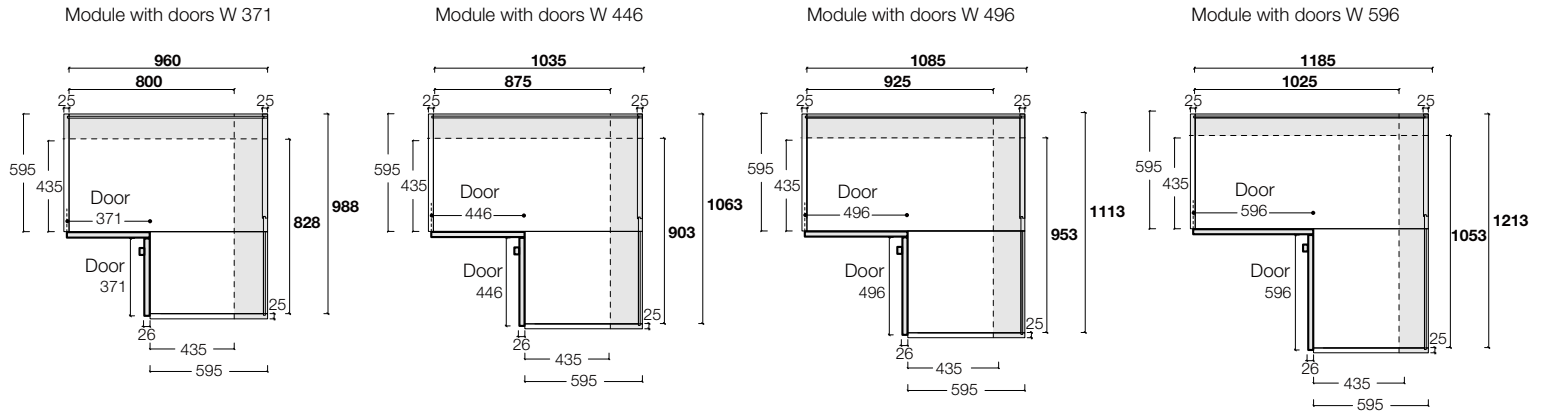


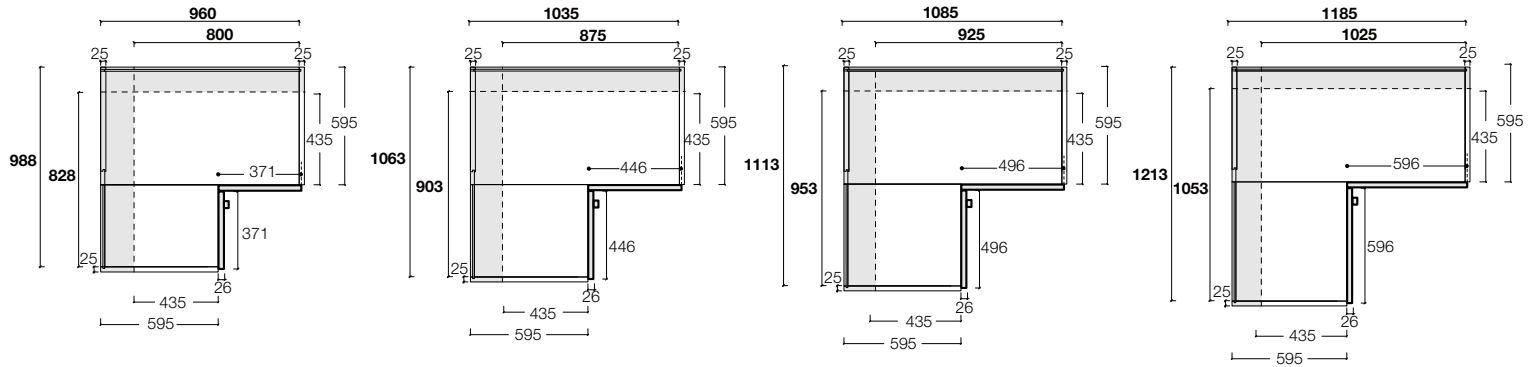
Corner modules

Hinged doors **thickness 26**

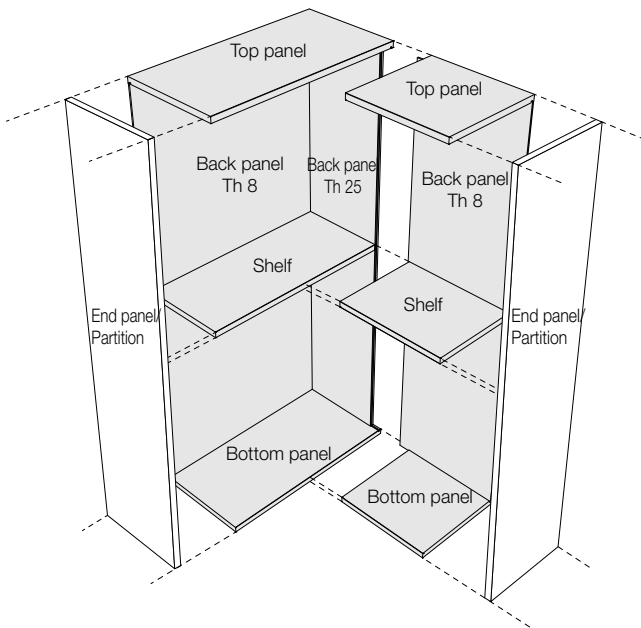
STANDARD CORNER MODULES WITH RH DOOR OPENING



CORNER MODULES UPON REQUEST WITH LH DOOR OPENING



CORNER element is delivered complete with bottom panel (2 pieces), top panel (2 pieces), shelf (2 pieces), back panels (3 pieces) and a pair of doors (RH with handle or profile) and is joined to adjacent modules with a partition or finished on one end panel.



RH door with handle or profile

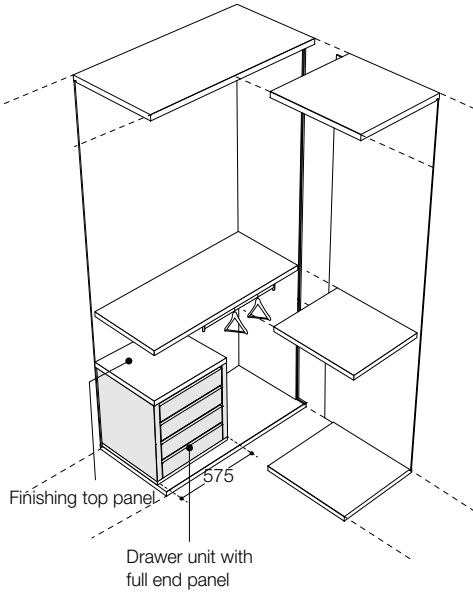
Corner modules

Hinged doors **thickness 26**

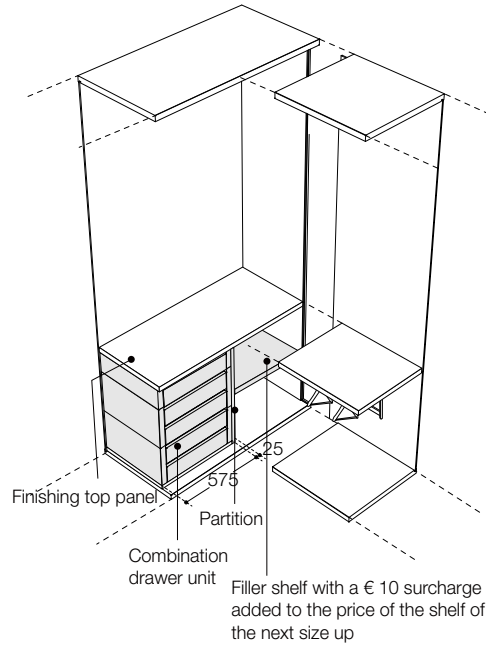
CORNER MODULES

The CORNER element can be fitted with shelves and clothes hanging rails. **With modules with door 596 it is possible to insert the drawer unit.**

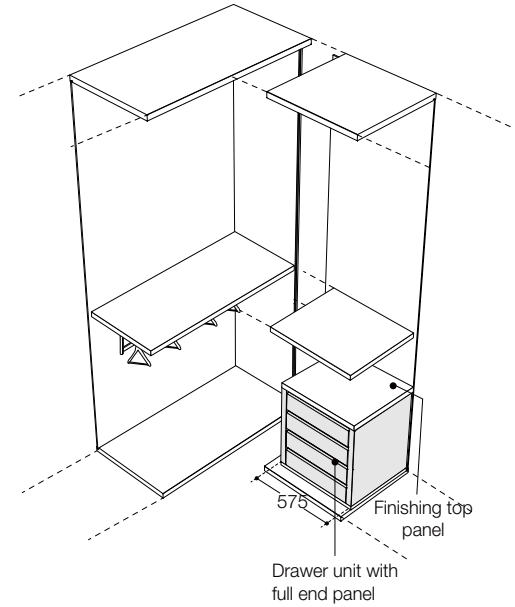
WITH SELF-SUPPORTING INTERNAL DRAWER UNIT



WITH SUPERIMPOSED INTERNAL DRAWER UNITS AND PARTITION



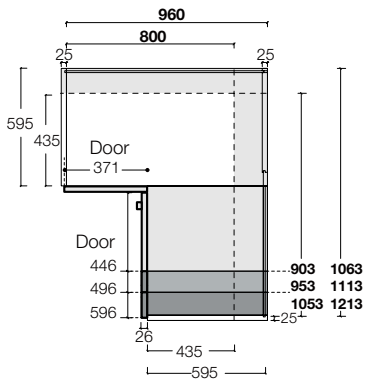
WITH SELF-SUPPORTING INTERNAL DRAWER UNIT



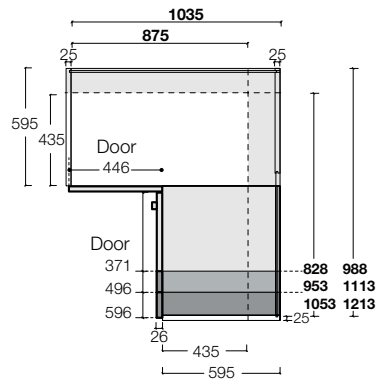
The price list gives combinations with paired doors of the same size. Other combinations must be specifically requested and the price will be calculated as a COMBINATION WITH WIDER DOORS.

Examples of COMBINED CORNER modules

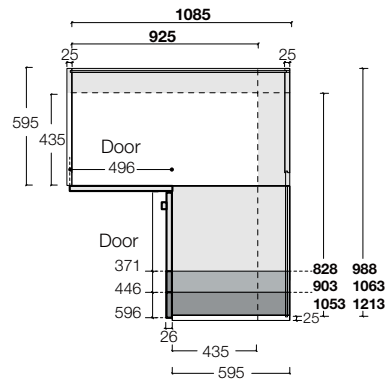
Combined corner module 960-800



Combined corner module 1035-875



Combined corner module 1085-925



Combined corner module 1185-1025

